

OLTRE

Art. 8570A Art.8572A Art.8574A Art.8580A Art.8585A Art.8568A Art.8568AS Art.8577

Art.8569A Art.8571A Art.8573A Art.8575A Art.8567 Art.8568B Art.8568BS

Art.8577

28 mm

Art.8572A
Art.8573A

Standard

Art. 8567
Art. 8568A
Art. 8568B
Art. 8569A
Art. 8570A
Art. 8571A
Art. 8572A
Art. 8573A
Art. 8574A
Art. 8575A
Art. 8577
Art. 8580A
Art. 8585A

360°

Art.8569A Art.8573A
Art.8570A Art.8574A
Art.8571A Art.8575A
Art.8572A Art.8577
Art.8580A

Art.8585A

180°

Art.8568A Art.8568AS
Art.8568B Art.8568BS

360°

Art.8567

Art.8568AS
Art.8568BS

CH 2.5

1 2 3 4

18

P

P=40/65

M5X45 L M5X65

*Art. 8568A *Art. 8568B
Art. 8569A
Art. 8570A Art. 8571A
Art. 8572A Art. 8573A
Art. 8574A Art. 8575A
Art. 8580A Art. 8585A

Art. 8567

L=P+45

L=P+16

Art. 8596

L H M5X105

P=65/125

Art. 8569A Art. 8570A Art. 8571A
Art. 8572A Art. 8573A Art. 8574A
Art. 8575A Art. 8580A Art. 8585A

L=P+45 H=P

65>P<95

L=P+16 H=P

65>P<95

Art.8577

P

Art.8596
P=95/160

L M5X105

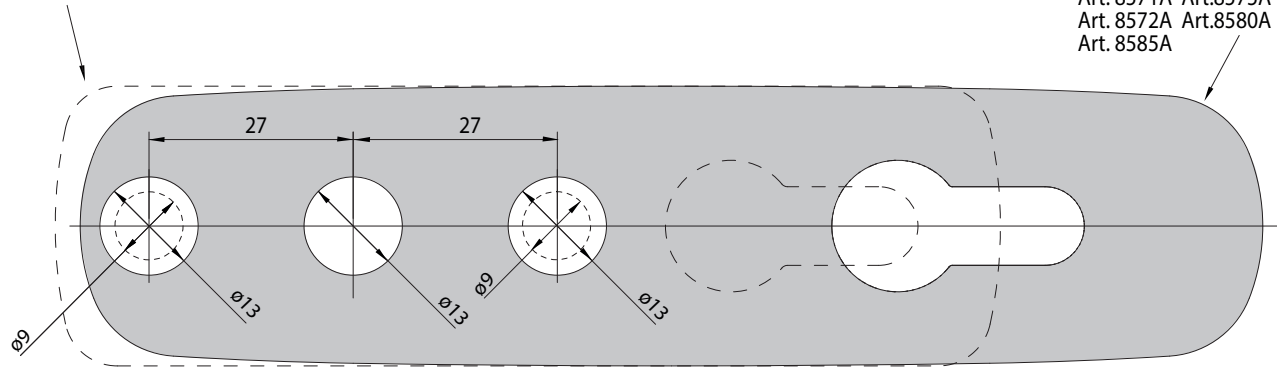
M5X45 L

L=P+28 H=P-31

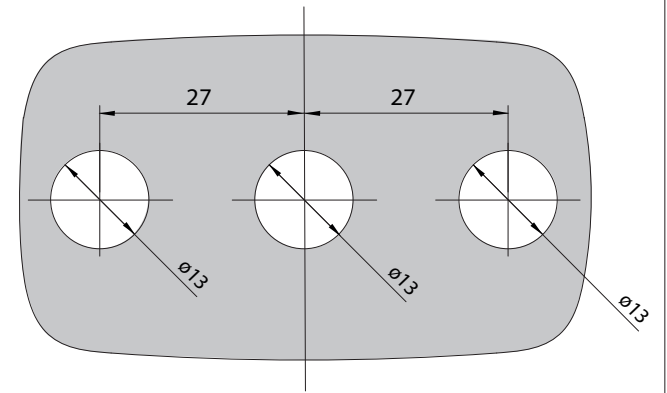
T=73-P

Art.8568A
Art.8568B

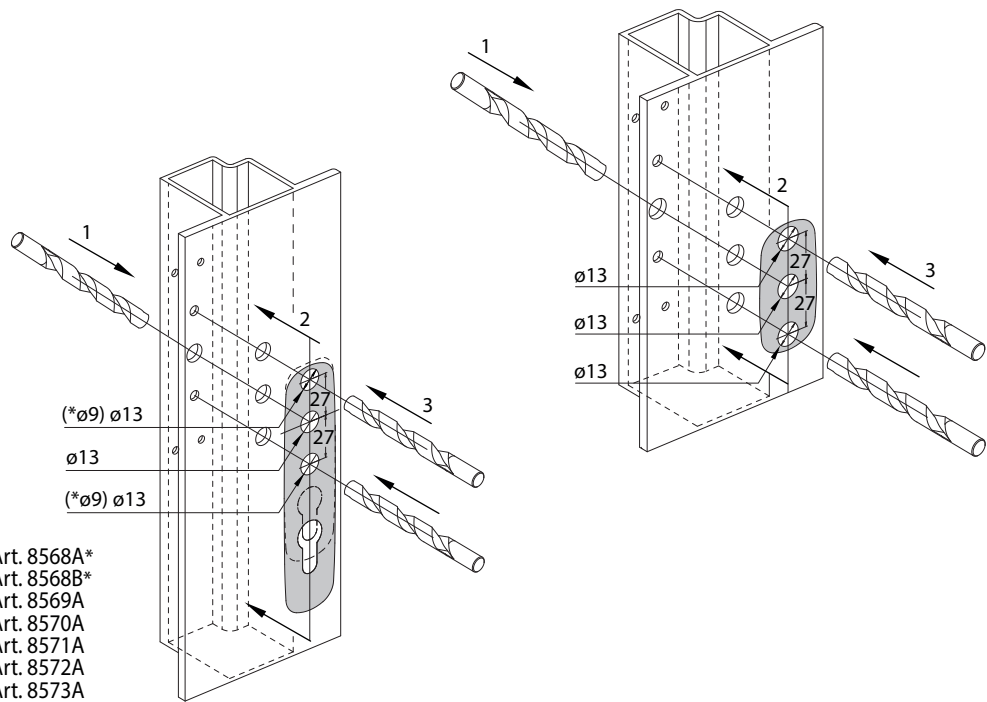
Art. 8569A Art.8573A
Art. 8570A Art.8574A
Art. 8571A Art.8575A
Art. 8572A Art.8580A
Art. 8585A



Art. 8567



Art.8567



Art. 8568A*
Art. 8568B*
Art. 8569A
Art. 8570A
Art. 8571A
Art. 8572A
Art. 8573A
Art. 8574A
Art. 8575A
Art. 8580A
Art. 8585A

Art.8577

