

FINGER CATCH

CLACK +

AWNING WINDOW ARM

ALT TRE

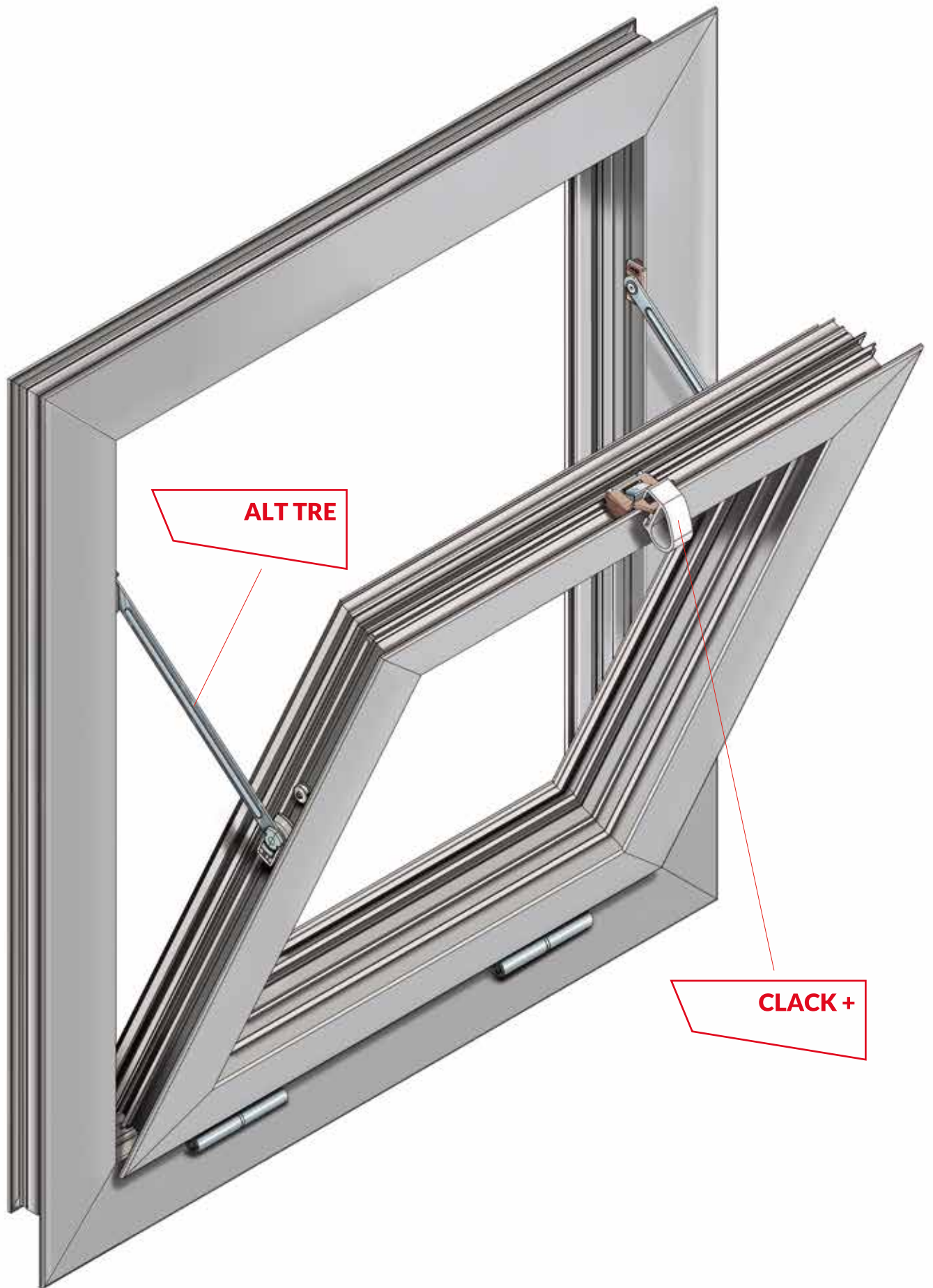


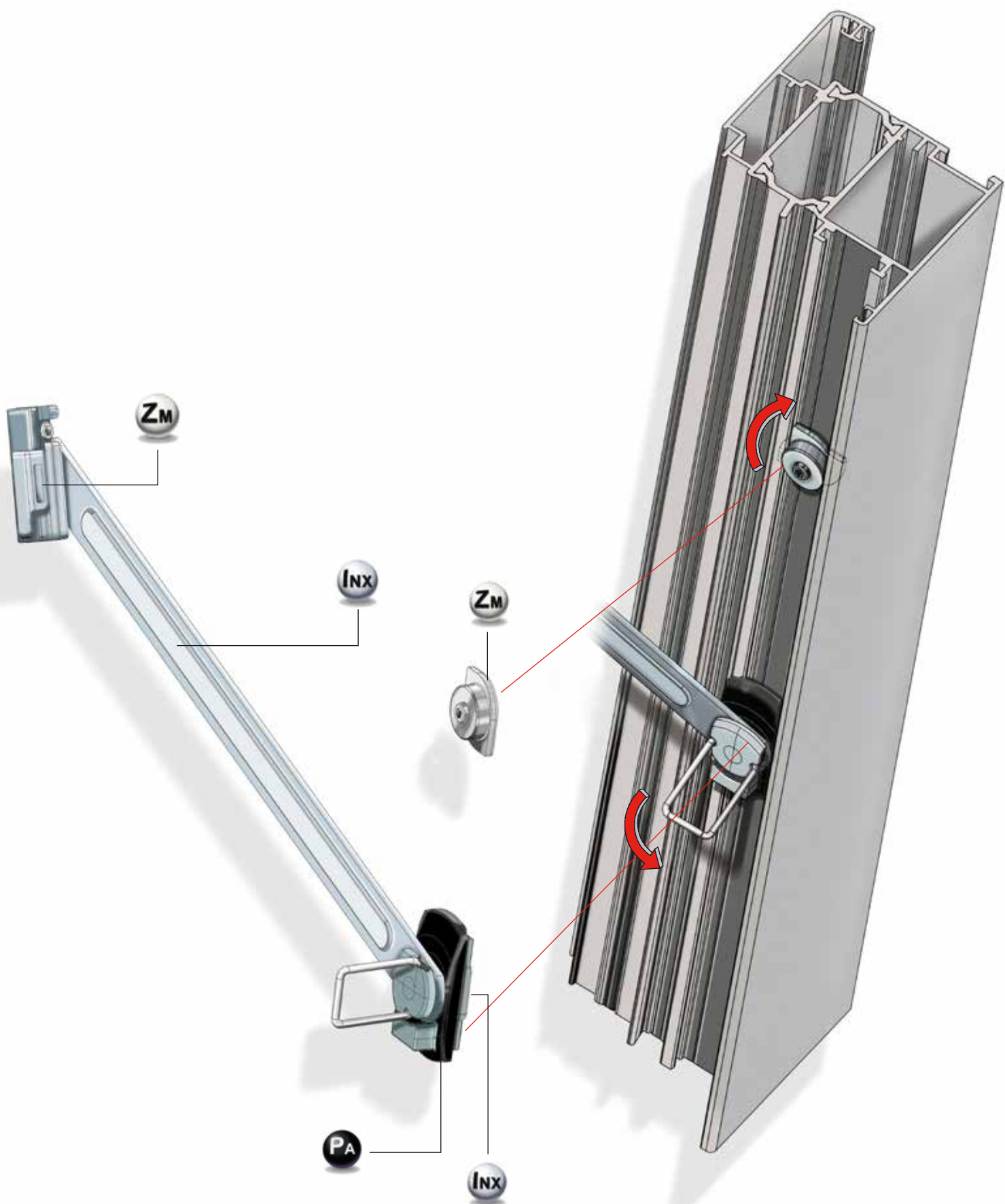
Made in Italy

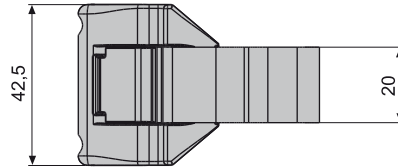
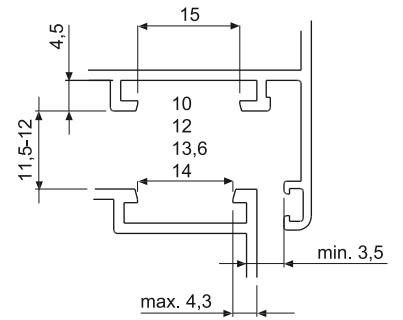
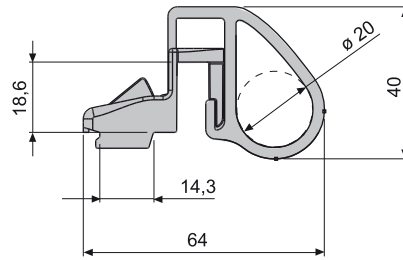
fapim[®]

Life in evolution

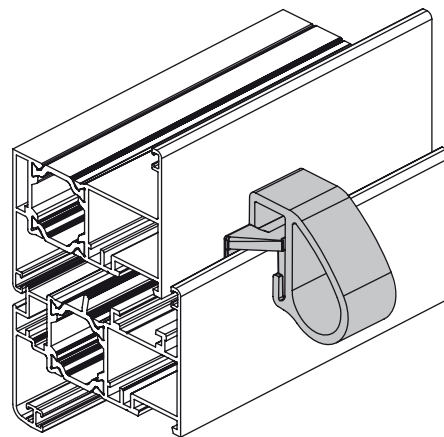
CLACK +







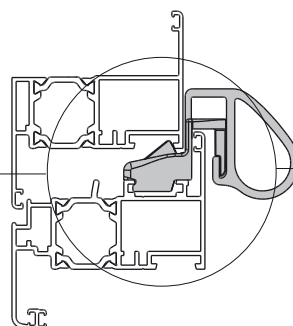
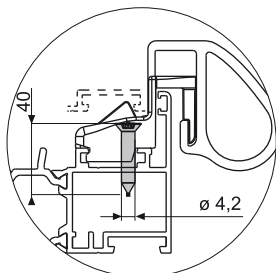
3214A	C.E.	50



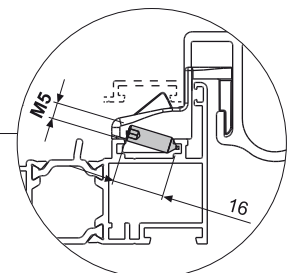
3214B	C.E.	50

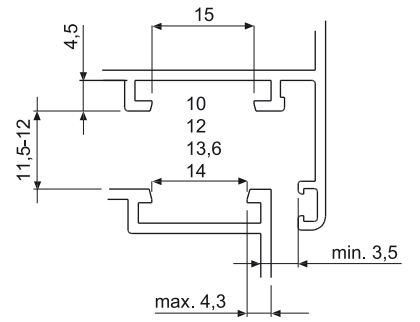
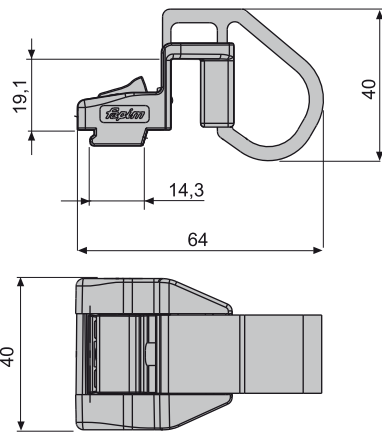


3214A

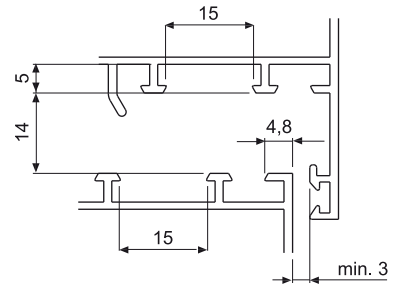
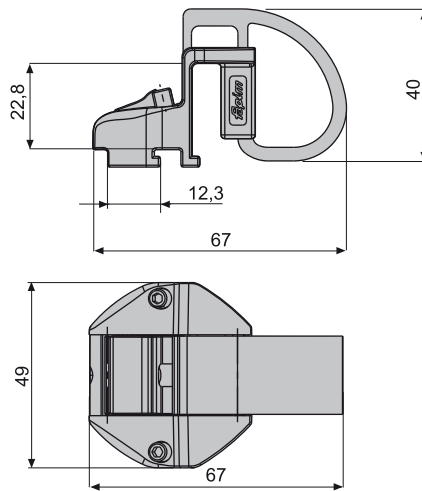


3214B





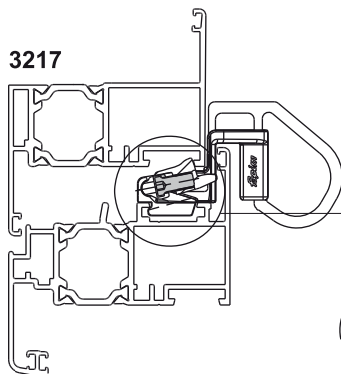
3217	C.E.	50



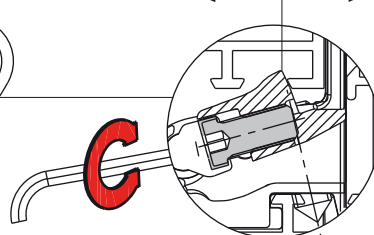
3217R	R-40 R-50	50



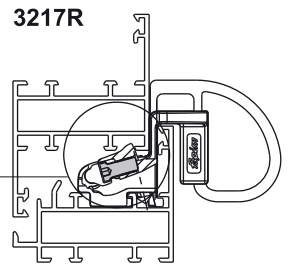
3217

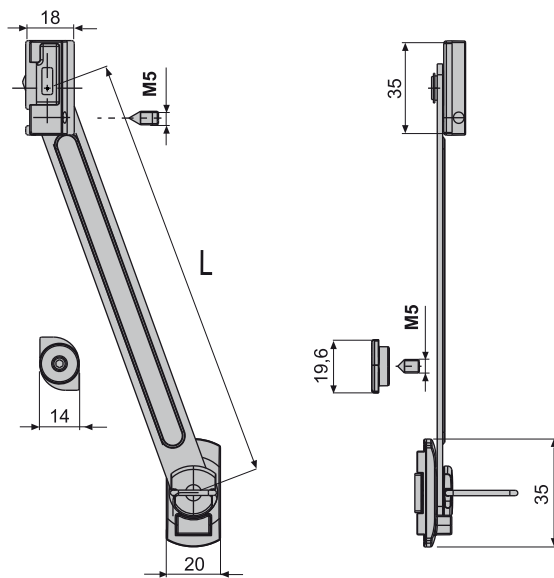






+ 2,5 - 2,5

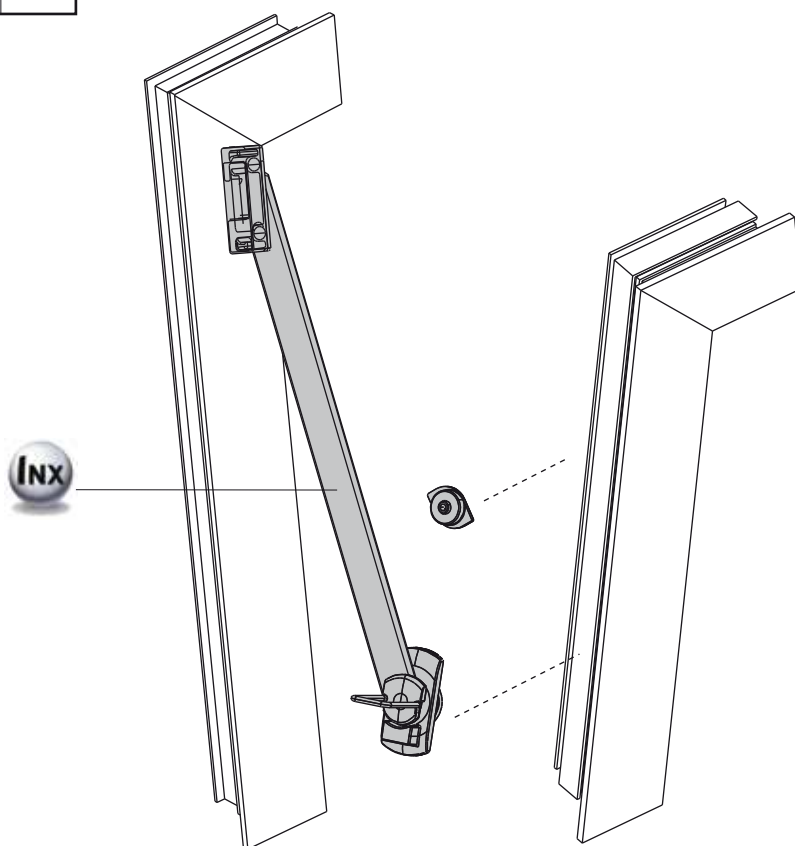


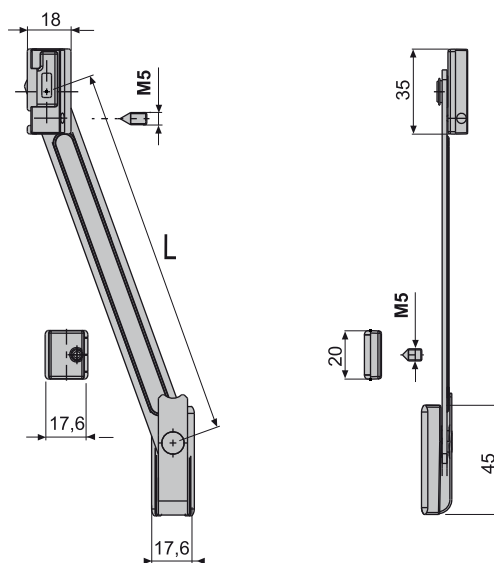
3217R

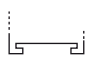






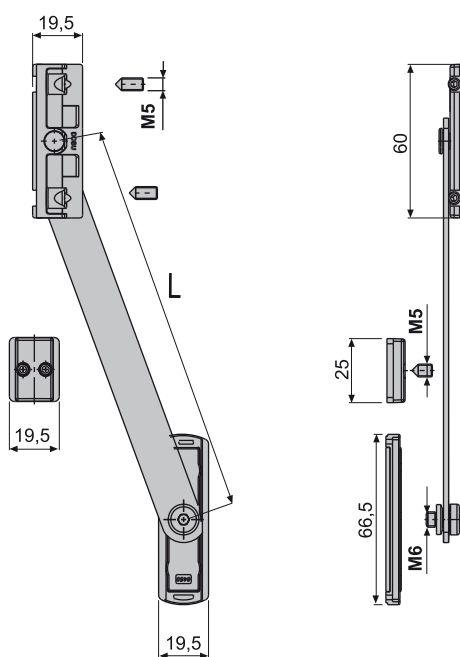


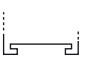


		L	INOX 	
3223A	C.E.  12/13.6/14	150	AISI 430 50	
3224A	ALL. CO. 5S NNC 40S	220		
3223B	C.E.  10/12/13.6/14	150	AISI 430	50
3223BX			AISI 304	
3224B	ALL. CO. 5S NNC 40S	220	AISI 430	50
3224BX			AISI 304	
3223C	R40	150	AISI 430	50
3224C		220	AISI 430	





		L	INOX	
3227	C.E. 	220	AISI 304	20
3227i	12/13.6/14 ALL. CO. 5S NNC 40S R40			50
3228	C.E. 	150	AISI 304	20
3228i	12/13.6/14 ALL. CO. 5S NNC 40S R40			50
3227A	C.E. 	220	AISI 430	50
3228A	10/12/13.6/14 ALL. CO. 5S NNC 40S R40	150		



		L	INOX	
3230	C.E. 	220	AISI 304	10
3231	10/12/13.6/14 ALL. CO. 5S NNC 40S	150		
3232		482		



fapim[®]

Fapim S.p.A.
Via delle Cerbaie, 114
55011 Altopascio (LU) Italy
T +39 0583 2601 F +39 0583 25291
www.fapim.it info@fapim.it
Cod.Fisc. e Part.I.V.A. 02224030466

DOMATIC[®]

DOMATIC
info@domatic.it www.domatic.it



fapim

BENELUX

Fapim Benelux s.p.r.l.b.v.b.a.
Avenue Rue St. Roch , 17
7712 Herseaux Belgium
T +32 56 340548
F +32 56 341960
info@fapimbenelux.be



fapim

HISPANIA

Fapim Hispania s.L.
C/edison, esq. A. Ingeniero
Goicoechea 45600
Parcela, 74
Talavera De la Reina (Espana)
T +34 925 828357
F +34 925 841148
administración@fapimhispania.com
pedidos@fapimhispania.com



fapim

POLSKA

Fapim Polska sp. z o.o.
ul.Przyrzeczne 4 03-107
WarszawaNIP : 536-16-29-437
T +48 227813797
F +48 227811022
Gsm 609022972



fapim

RUSSIA

Fapim RU Ilc
249010, Dom 33, Kievskoe Shosse,
Obninsk, Kaluga Region
Russian Federation
T +79 163116480



fapim

ARGENTINA

Fapim Argentina S.A.
Buschiazco N° 347
(1611) Don Torcuato
Partido de Tigre
Buenos Aires - Argentina
T +54 (11) 48463545